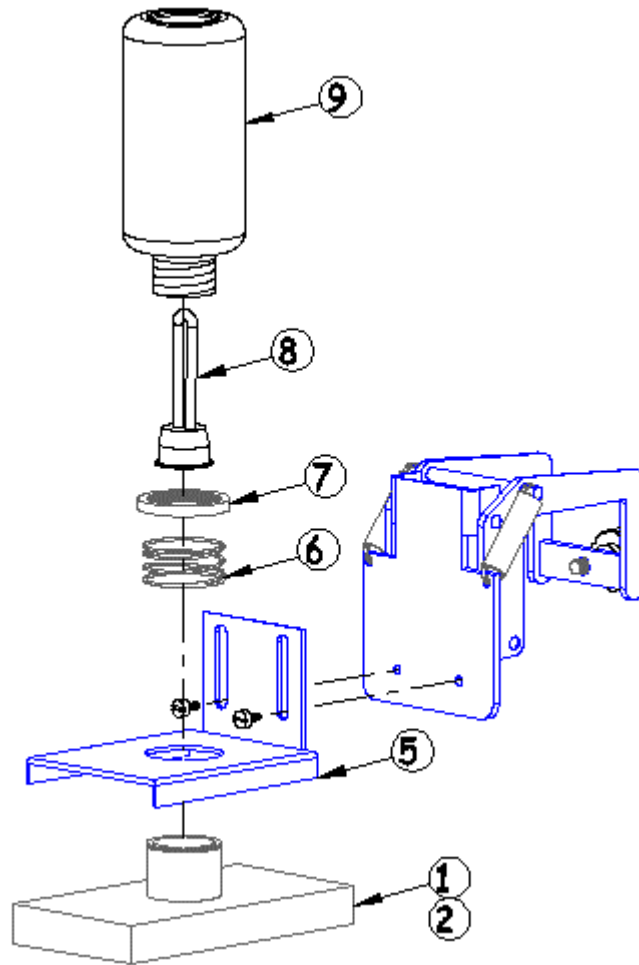




3430 Unionville Pike Hatfield, PA 19440
 215-822-7733 Fax 215-822-7735

Web Site Address: www.kmg-inc.com
 E-Mail Address: sales@kmg-inc.com

D500 Dabber Assembly



Label	Part #	Description	Price
1	D-500-02	Flat Marking Pad (2 3/8" x 4 1/2" x 1/2")	\$ 35.00
2	D-500-10	Narrow Marking Pad (1 3/4" x 3 5/8" x 1/2")	\$ 32.00
5	D-500-09	Pad Holder	\$ 28.00
6	D-500-05	Pad Compression Spring	\$ 2.50
7	D-500-06	Pad Locking Nut	\$ 2.50
8	D-500-04	Siphon Tube	\$ 1.75
9	D-500-03	Marking Fluid Bottle	\$ 6.50
-	D-500-08	Marking Fluid (One Gallon)	\$ 165.00